

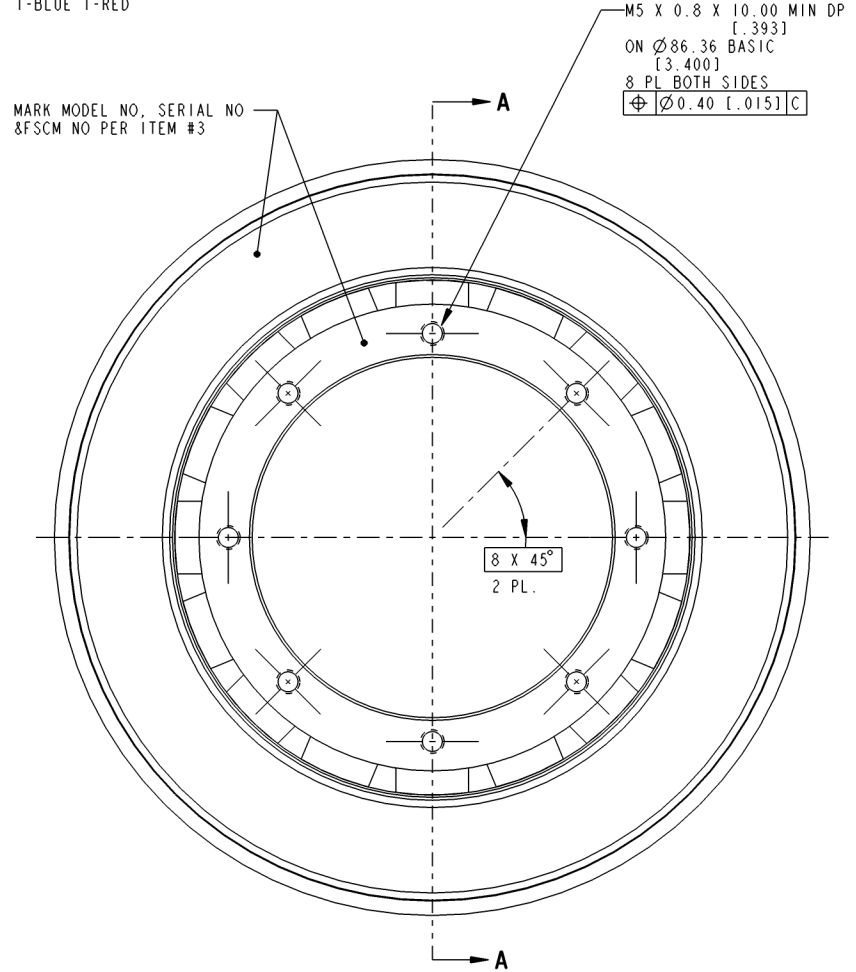
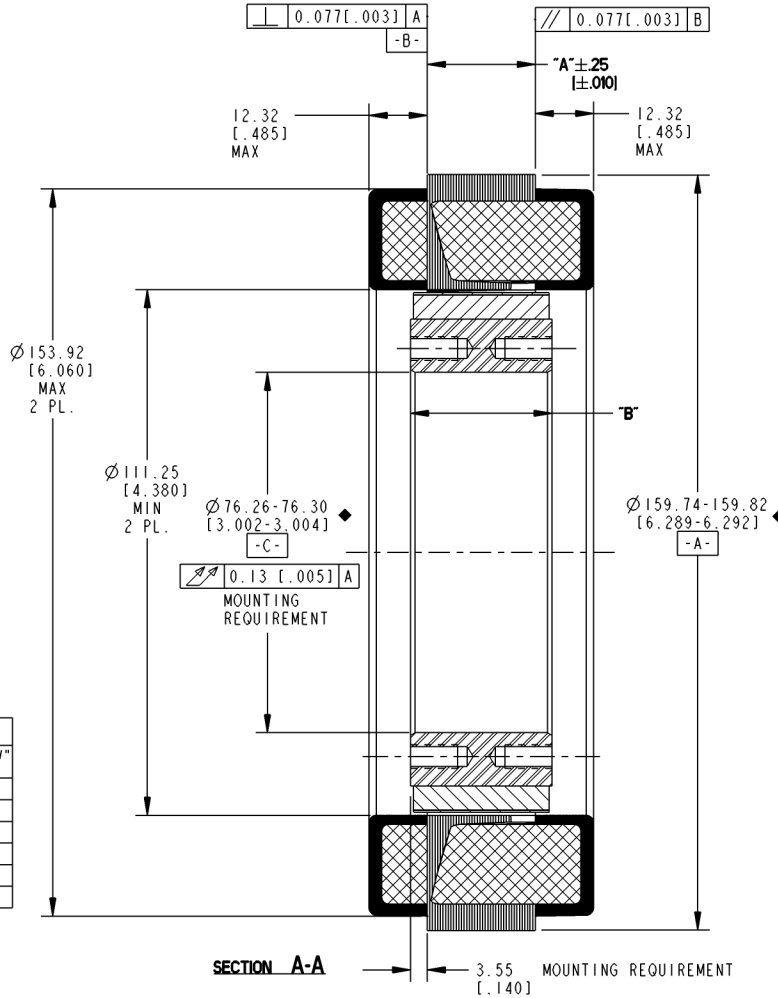
NOTES:

- FOR A C.C.W. ROTATION, AS VIEWED FROM LEAD END, ENERGIZE PER EXCITATION SEQUENCE BELOW.
- MOTOR SUPPLIED AS TWO SEPARATE COMPONENTS, ARMATURE ASSEMBLY AND FIELD ASSEMBLY.
- MINIMUM MOUNTING SURFACE FROM 154.68 MM [6.090] TO 159.76 [6.290] BOTH SIDES.
- DIMENSIONS IN BRACKETS [ ] ARE ENGLISH UNITS FOR REFERENCE ONLY.
- NO ANGULAR RELATIONSHIP BETWEEN MOUNTING HOLES ON EITHER SIDE OF ROTOR.
- RoHS (DIRECTIVE 2002/95/EC AND AMMENDMENTS) COMPLIANCE REQUIRED.

REVISION				
REV	ECN NO.	DESCRIPTION	DATE	APPROVED
A	R01-14370	SEE ECO	L&T	07-Apr-11 LW

**MOTOR LEADS :**  
 #16 AWG, TEFLON INSULATED, U.L. 1199  
 3 LEADS, 400 MM [15.75"] MIN  
 1- BLUE 1-BROWN 1-VIOLET

**THERMISTOR LEADS :**  
 #26 AWG, TEFLON INSULATED  
 2 LEADS, 400 MM [15.75"] MIN  
 1-BLUE 1-RED



STEP	POWER CONNECTION		
	PHASE "U" BLUE	PHASE "V" BROWN	PHASE "W" VIOLET
1	+	-	-
2	+	-	-
3	-	+	-
4	-	+	-
5	-	-	+
6	-	-	+

EXCITATION SEQUENCE TABLE

TABLE I					
MODEL NUMBER	ARMATURE ASSY H.V. INSULATION	ARMATURE ASSY STD. INSULATION	FIELD ASSEMBLY	DIM "A"	DIM "B"
KBM-43X01	946334/01X	946335/01X	946336/01	11.43 [.450]	18.54 [.730]
KBM-43X02	946334/02X	946335/02X	946336/02	22.86 [.900]	29.97 [1.180]
KBM-43X03	946334/03X	946335/03X	946336/03	45.72 [1.800]	52.83 [2.080]
KBM-43X04	946334/04X	946335/04X	946336/04	80.26 [3.160]	87.38 [3.440]
KBM-43X05	946334/05X	946335/05X	946336/05	108.97 [4.290]	116.08 [4.570]

THIS DOCUMENT IS ONLY FOR USE BY THE INTENDED RECIPIENT AND CONTAINS KOLLMORGEN CONFIDENTIAL INFORMATION

Proj Instance Name: KBM43\_OUTLINE\_946333

Proj Drawing Name: 946333

Proj Model Type: ASSEM

Pro/Engineer Drawing

METRIC DRAWING

- SIGNIFICANT PRODUCT CHARACTERISTIC
- CRITICAL PRODUCT CHARACTERISTIC

3	AR	IM-2709	MARKING PROCEDURE
2	I	SEE TABLE	ARMATURE ASSEMBLY
1	I	SEE TABLE	FIELD ASSEMBLY
ITEM	QTY	IDENTIFYING NO.	DESCRIPTION
LIST OF PARTS			
KOLLMORGEN			INLAND MOTOR
Inland Motor			501 FIRST STREET RADFORD, VIRGINIA 24141
OUTLINE KBM-43XXX-X00			
FSCM 11384		SIZE C	DWG. NO. 946333
SCALE: 1:000		JOB NO.:	REV A
SHEET 1 OF 1			

UNLESS OTHERWISE SPECIFIED:  
 REMOVE ALL SHARP BURRS AND  
 BREAK ALL SHARP EDGES  
 X DECIMAL PLACES ± 4 [.015]  
 XX DECIMAL PLACES ± 13 [.005]  
 ANGULAR DIMENSIONS ± 1'

DO NOT SCALE DRAWING. USE DIMENSIONS ONLY.  
 ALL DIMENSIONS ARE IN MILLIMETERS  
 DIMENSIONS IN BRACKETS [ ] ARE IN INCHES  
 AND ARE FOR REFERENCE ONLY.

INTERPRET GEOMETRIC SYMBOLS  
 PER ANSI Y14.5M-1992

DATE: 25-Jan-09  
 L&T  
 DATE: 16-Sep-09  
 LW  
 DATE: 16-Sep-09  
 LW